

ANACO



NOODLE™



INTRODUCING SEATING THAT MOVES.

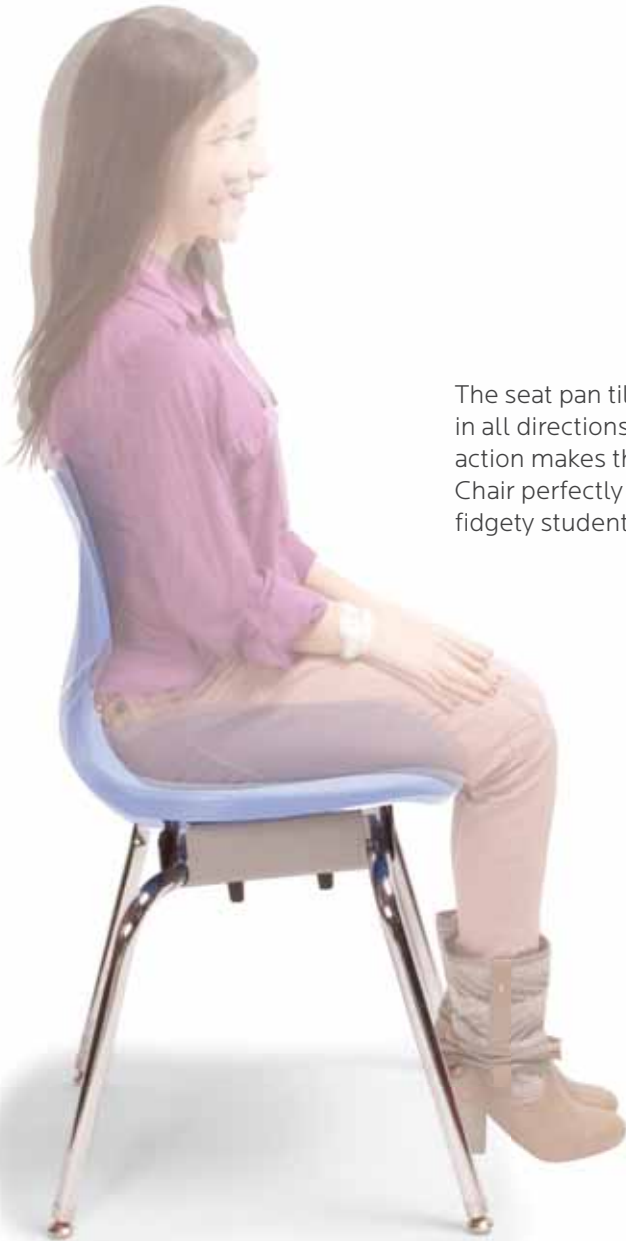
Seating that moves helps the student concentrate and be healthier. The new Flavors™ Noodle Chair has a patented suspension that allows it to move with – not resist – the student. It provides all the benefits of sitting on a large ball, but with the added advantages of more stability and back support.



The seat pan tilts slightly in pitch.



The seat pan tilts slightly in roll.



The seat pan tilts slightly in all directions. This action makes the Noodle Chair perfectly suited for fidgety students.





Model 11853
14" seat height, 'B' Shell.
Shown in Red.



Model 11852
16" seat height, 'B' Shell.
Shown in Cerulean Blue.



Model 11851
18" seat height, 'A' Shell.
Shown in Apple.



Noodle Stack Chair

The Noodle Chair is designed to help the student concentrate and be healthier. It has a patented suspension that allows it to move with – not resist – the student. It provides all the benefits of sitting on a large ball, but with the added advantages of more stability and back support. The Noodle Chair is perfectly suited to fidgety students

- The shell rests on a patented suspension, allowing the seat pan to tilt slightly in all directions.
- A four-position chair offering the utmost freedom of movement.
- High-density polypropylene shell with color throughout.
- Durable swivel-base glides with non-staining nylon bases and chrome-plated steel covers come standard. Or choose optional felt or stainless steel glides.
- The legs are strong, 18-gauge welded steel with a durable chrome finish.

Model	Description	D"	W"	H"	F.C.	Cube	Wt.	UPS
11851	Noodle Stack Chair A shell - 18"h	20.5	19.5	18	125	2	9	*
11852	Noodle Stack Chair B shell - 16"h	18	18	16	125	1.2	7	*
11853	Noodle Stack Chair B shell - 14"h	17	17.5	14	125	1.2	7	*
	S Steel glide option for stacking chairs	Set of 4 installed						
	F Felt glide option for stacking chairs	Set of 4 installed						

Glide Options

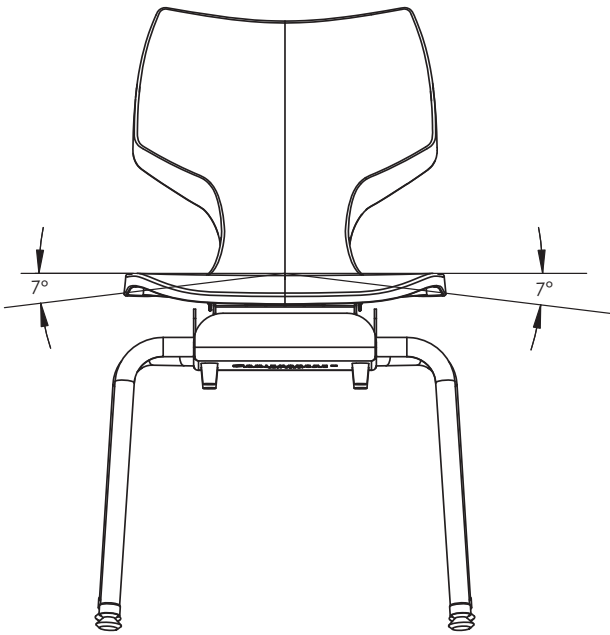
Nylon base is standard. Optional are steel base and felt base:

*This is factory installed option not available for field installation. Glide option must be on original chair order.

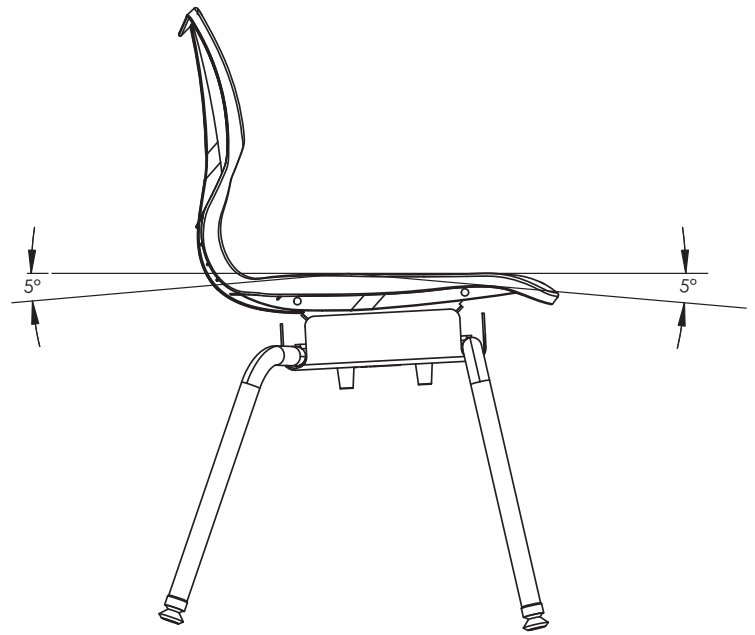
Steel glide option: Add 'S' to follow Model No.

Felt glide option: Add 'F' to follow Model No.

TILT ANGLE FOR NOODLE CHAIR

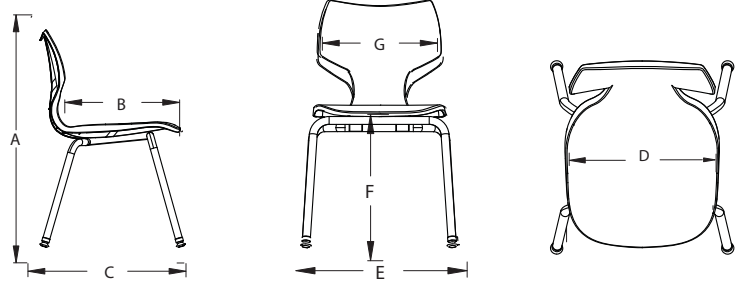


FRONT VIEW
(SIDE-TO-SIDE MOVEMENT)



SIDE VIEW
(FRONT-TO-BACK MOVEMENT)

Dimension Chart								Leg Diameter
Model	A	B	C	D	E	F	G	
11851	31"	16"	20.5"	16"	19.5"	18"	15"	1"
11852	29"	14.5"	18"	14.5"	18"	16"	13.75"	1"
11853	26"	14.5"	17"	14.5"	17.5"	14"	13.75"	1"



Noodle Chair Shell Color Choice

