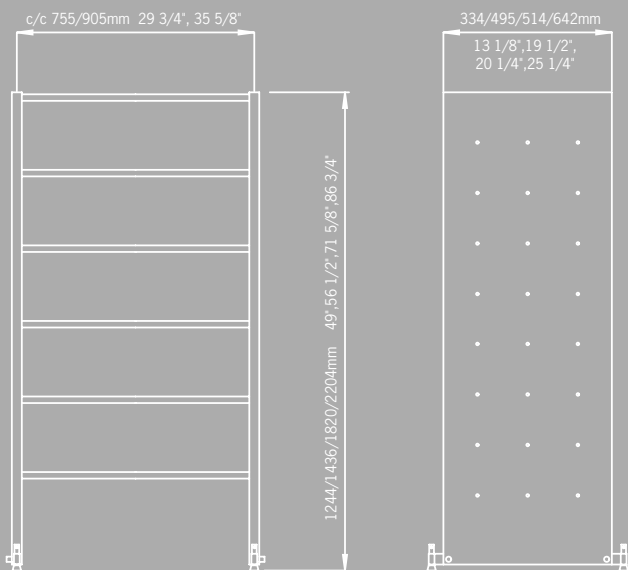


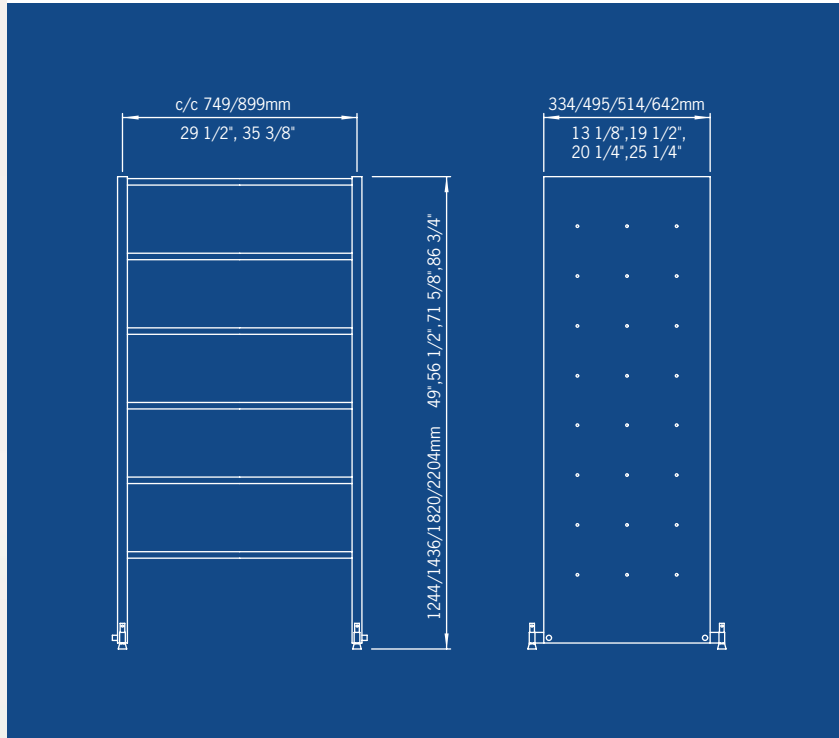
Nordic





Nordic. Based on the original Nordic shelf, a complete system has now grown forth. Designer Krister Sjögren works in the Nordic tradition, and has combined light expression with modern function in a highly distinctive way.





Shelving

Single or double-sided.
Shelf adjustment:
32 mm / 1 1/4"

Rayonnage

Simple ou double face.
Espacement des tablettes:
32 mm

Regal

Einfach oder doppelseitig.
Höhenintervall der
Regalböden: 32 mm

Rek

Eén- of tweezijdig.
Hoogte-interval tussen
legborden: 32 mm.



A prime example of flexibility is the shelf. Available single or double-sided, the shelving system boasts a variety of functions for display and storage.

The steel pegs, in combination with the acrylic stand, come in three sizes and are intended for storage and display of magazines and other media. The pegs can be fitted to the ends of the bookshelves, the magazine stand or the computer tables.

Magazine stand

Double-sided.
Acrylic stand.
1956 mm / 77"

Presentoir à revues

Double face. Matière
plastique acrylique. 1956 mm

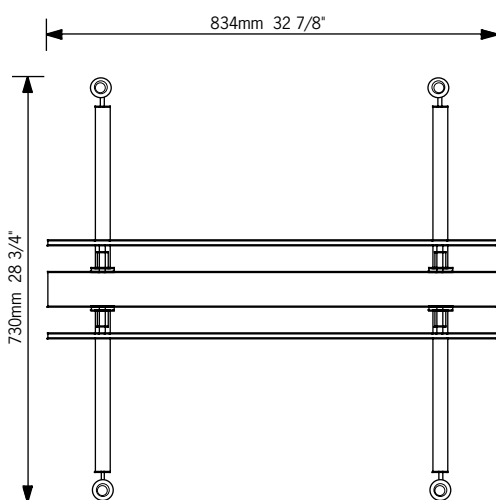
Zeitschriften- gestell

Doppelseitig. Acrylhalter.
1956 mm

Lectuurbak

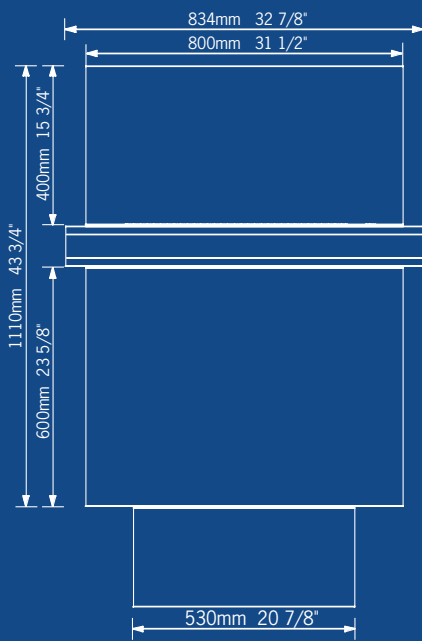
Dubbelzijdig.
Acrylrekje.
1956 mm

The Nordic series covers a wide range of applications: from storage and display furniture to various kinds of work-tables. Common to the entire range are the straight birch columns and the ingenious base feet. Each piece of furniture is just as functional independently as combined in a group. This greatly increases the potential areas of application, as well as the opportunities for add-on solutions and innovative interior design.





The height adjustable computer table functions either as a single-sided workplace with the desktop at the 'back' - or as a double-sided computer workstation.



Computer table

Height adjustable.
CPU holder.
1956 mm / 77"

Poste informatique

Réglable en hauteur.
Caisson pour l'unité centrale.
1956 mm

Computertisch

Höhenverstellbar.
CPU-Box.
1956 mm

Computertafel

Verstelbaar in de hoogte.
CPU-bak.
1956 mm

Study table

Cable-groove integrated
in front plate.

Table d'étude

Passage de câbles intégré au
panneau frontal.

Studiertisch

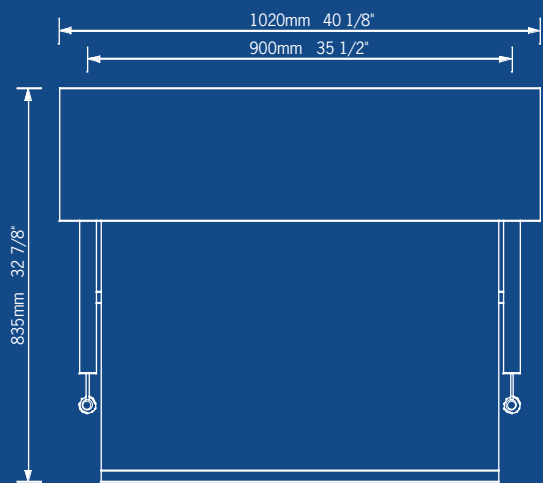
Kabelführung in die
Frontplatte integriert.



The Nordic series is made of panelled, sliced birch veneer, with solid birch details.

The surfaces have recessed linoleum worktops. The fronts are in graphite-grey sheet steel, with steel base feet.

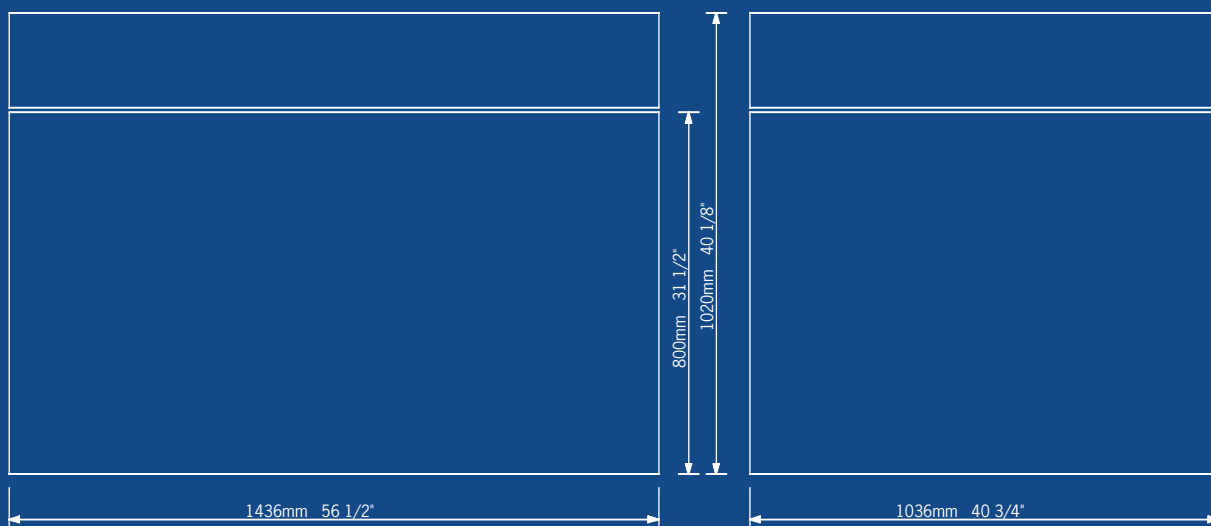
The quality and production methods used ensure that Nordic has all the right properties for maintaining function and expression year after year.



Studietafel

Kabelgoot geïntegreerd
in het frontpaneel.





Infodesk A & B

Fixed height or adjustable (710 - 980 mm / 28" - 38 1/2").
Cable management system integrated in surface and front plate. Movable screen.

Comptoir d'information A et B

Hauteur fixe ou réglable (710 - 980 mm).
Passage de câbles préparé dans le plateau supérieur et le panneau frontal. Cloison de séparation mobile.

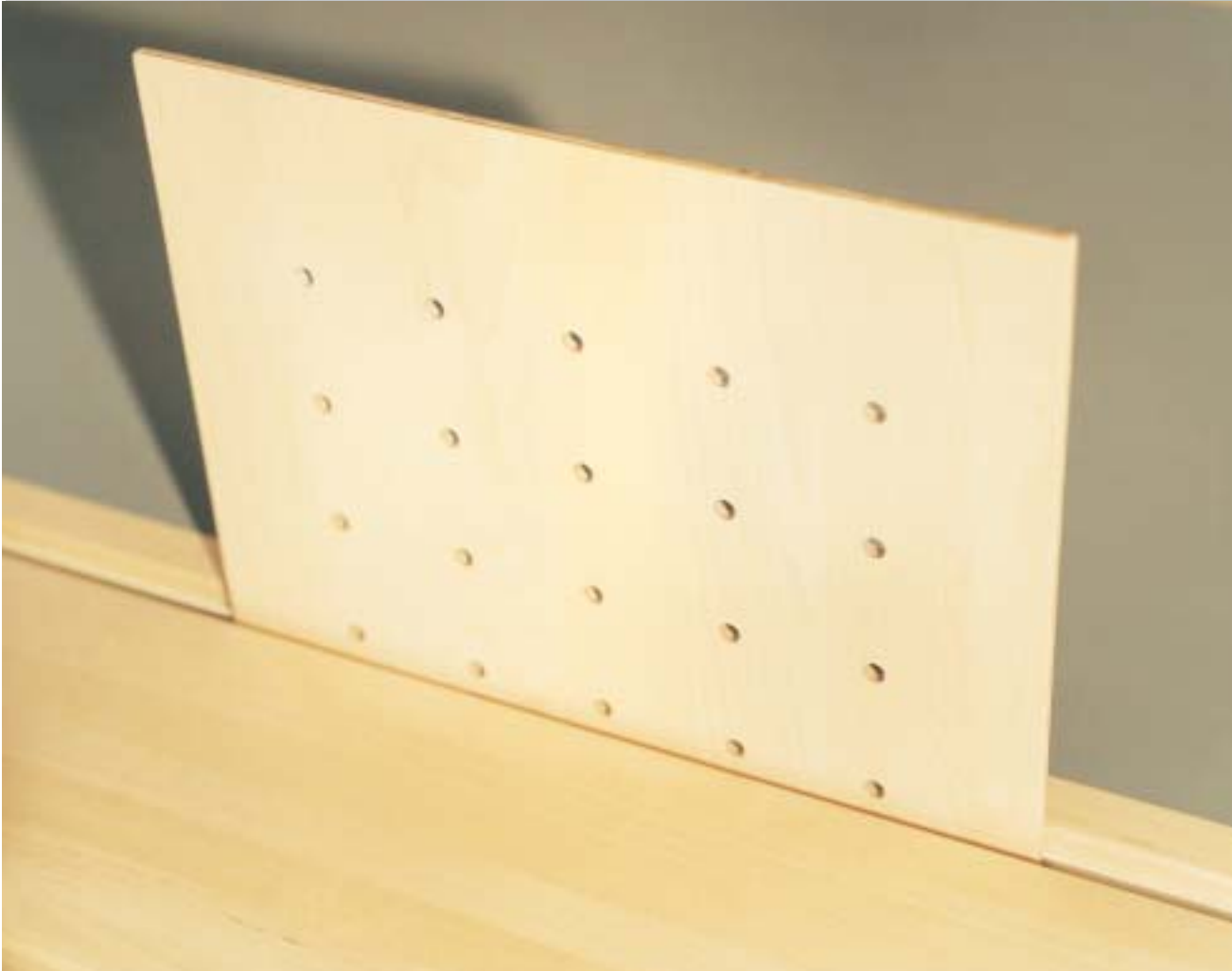
Informationstresen A & B

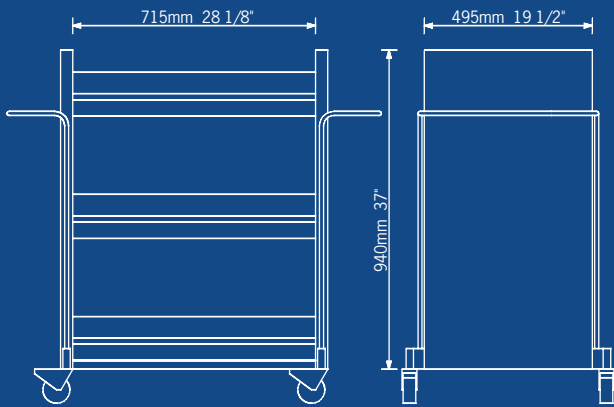
Feste Höhe oder höhenverstellbar (710 - 980 mm).
Vorbereitet für Kabelführung an Platte und Frontblech.
Versetzbare Abschirmung.

Informatiebalie A & B

Vaste hoogte of instelbare hoogte (710 - 980 mm).
Vorbereide kabelgoot in bovenblad en frontpaneel.
Verplaatsbare afscheiding.







Book-trolley

Angled shelves.
Wheel brakes.

Chariot à livres

Tablettes inclinées.
Roulettes blocables.

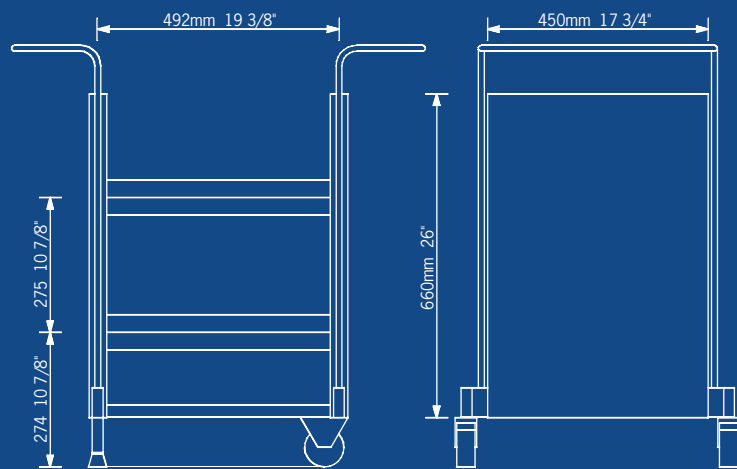
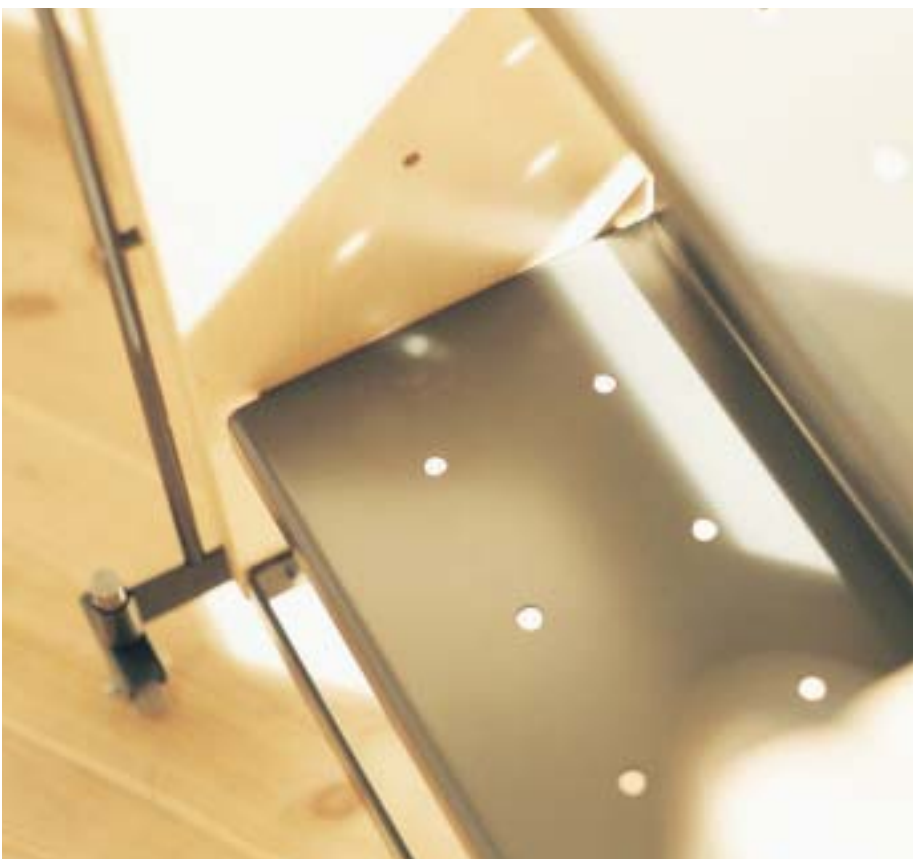
Bücherwagen

Schräg gestellte Böden.
Arretierbare Rollen.



Boekenwagen

Schuinstaande legborden.
Vergrendelbare wielen.



Step ladder

Rolling. Also functions as a seat.

Escabeau

A roulettes. Egalement utilisable comme siège.

Leiter

Mit Rollen. Auch als Sitzplatz verwendbar.

Trap

Op wielen. Dient tevens tot zitplaats.



®



ANACO