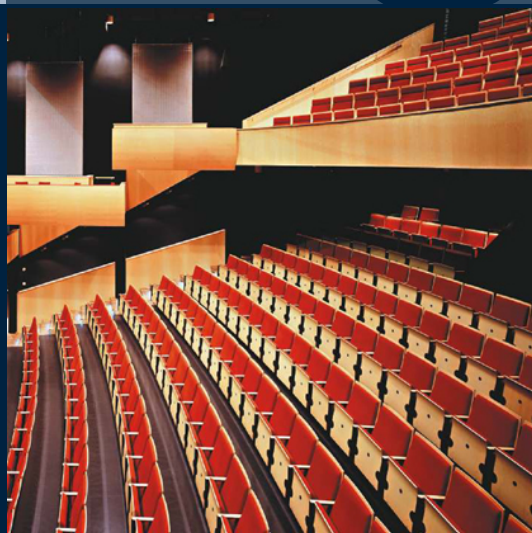
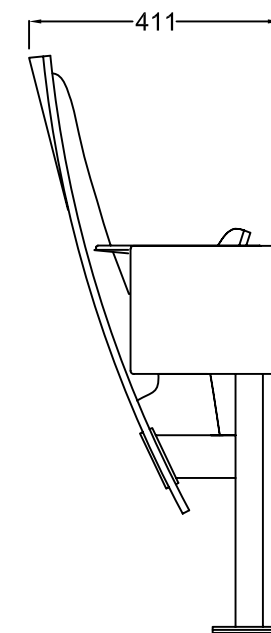
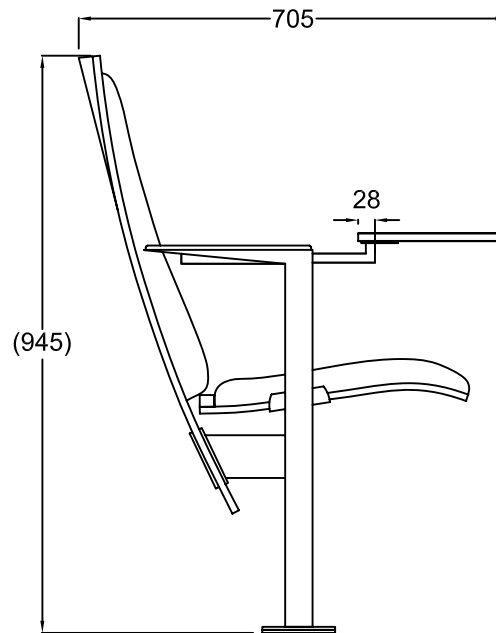
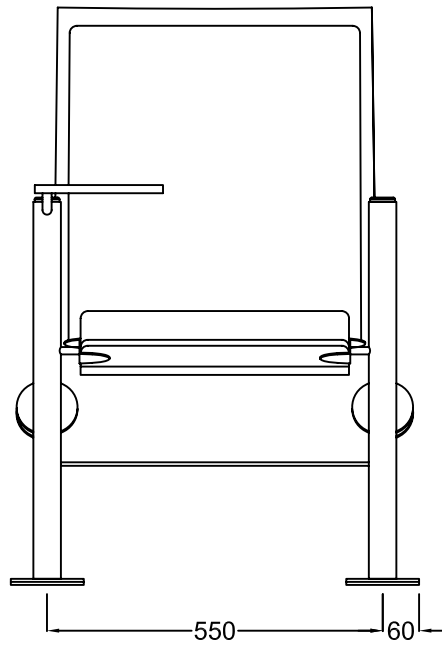
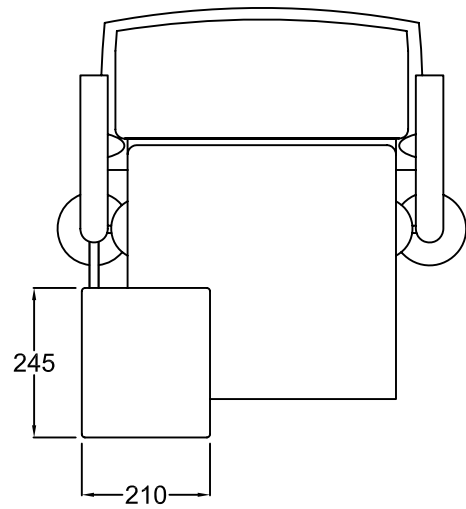





**ANACO**

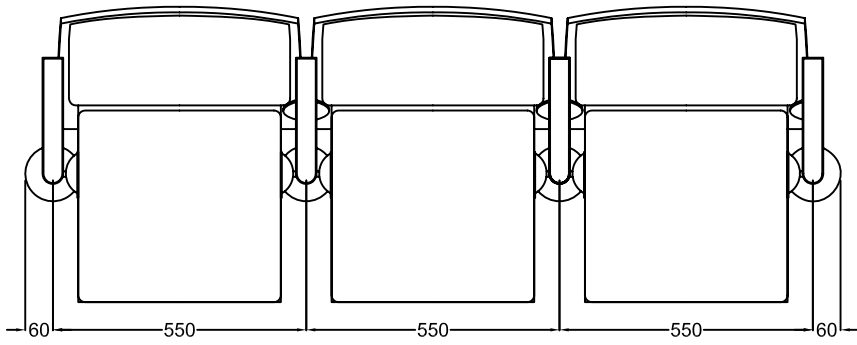
# Καθίσματα Αμφιθεάτρου OPUS & LEC Σχέδια








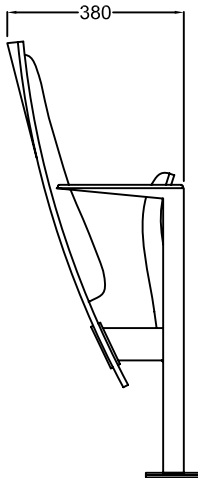
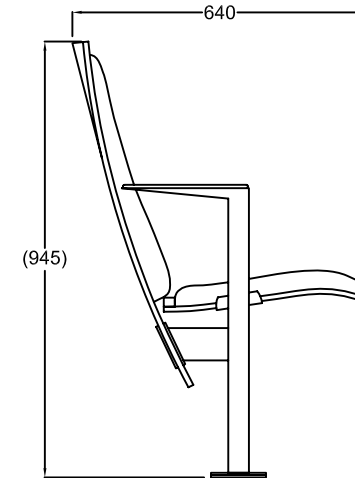
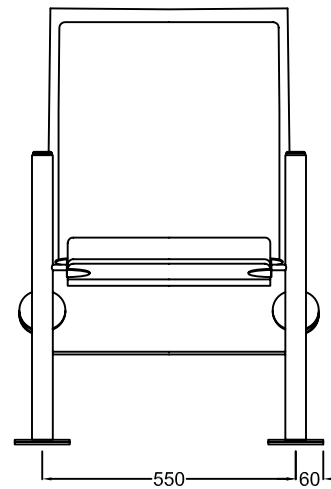
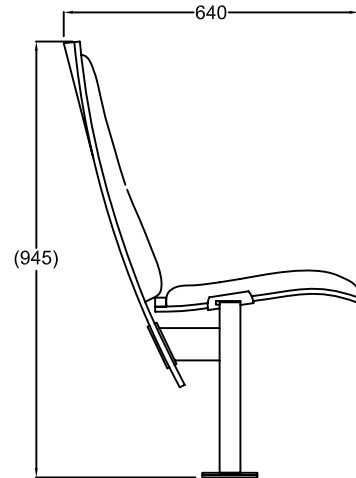
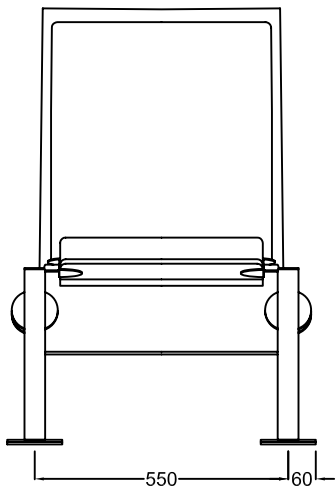
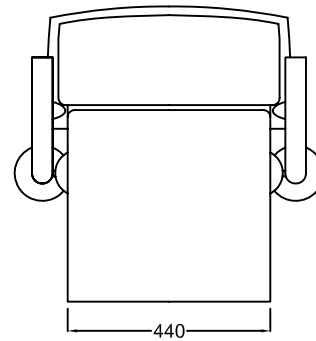
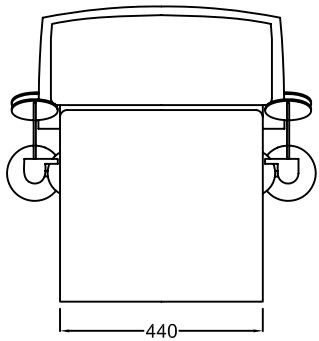
It is necessary that all specs & dims of the proposed systems are re-checked by the customer

C						
B						
A						
Ref.:	Modifications - Revisions		Date	S/G		
		Design & Tenders Division, 117 Vouliagmenis Avenue, Glyfada 16674, Attiki - Greece. Tel: +301 210 9600 915				
Scale:	Design Date:	Job Number:	Drawn by:	Checked:	Proj.Mgr:	Dwg No:
	5/2/2002	1744-02	A.B.	K.L.	S.A	XJY05-
Dept:	Τμήμα Δημοσίων έργων και διαγωνισμών					
Description:	AUDITORIUM SEATING					
Customer:						
Refers to:	OPUS PRODUCT RANGE - DWG SPECS					



It is necessary that all specs & dims of the proposed systems are re-checked by the customer

C						
B						
A						
Ref.:	Modifications - Revisions			Date	S/G	
		Design & Tenders Division, 117 Vouliagmenis Avenue, Glyfada 16674, Attiki - Greece. Tel: +301 210 9600 915		 		
		Scale:	Design Date:	Job Number:	Drawn by:	Checked:
	5/2/2002	1744-02	A.B.	K.L.	S.A	XJY05-
Dept:	Τμήμα Δημοσίων έργων και διαγωνισμών					
Description:	AUDITORIUM SEATING					
Customer:						
Refers to:	OPUS PRODUCT RANGE - DWG SPECS					



**ANACO – Business Systems Div.**

Διεύθυνση Αποστολής Αλληλογραφίας:  
Κρίτωνος 2 & Λεωφ.Βουλιαγμένης 117  
166 74 Γλυφάδα - Αττικής

Τηλ.: 210 9600 915  
Fax : 210 9648 128

Url: [www.anaco.gr/](http://www.anaco.gr/)